



SlimJim®

A variety of lid options for Slim Jim® containers encourages waste separation and recycling with interchangeable, color-coded tops.

Features and Benefits:

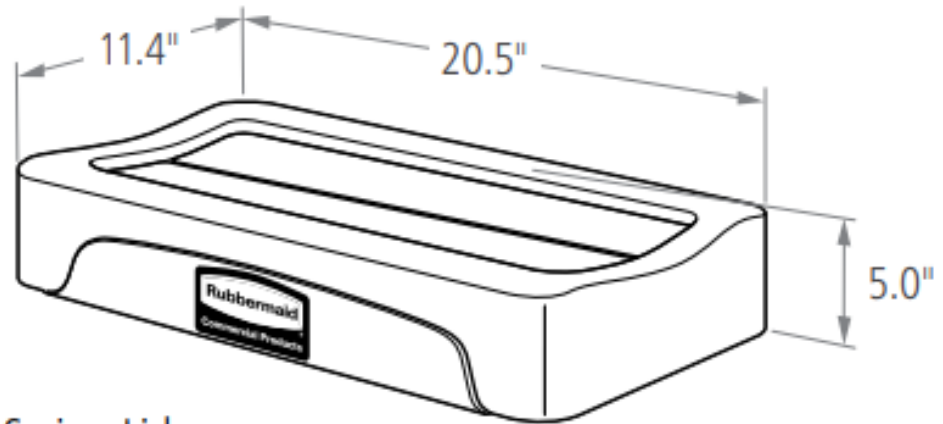
SLIM JIM® LIDS

- **Swing Lid** conceals waste from view and provides no-touch access

Material Composition:

Injection-grade resin material

LIDS FOR SLIM JIM® CONTAINERS



Swing Lid